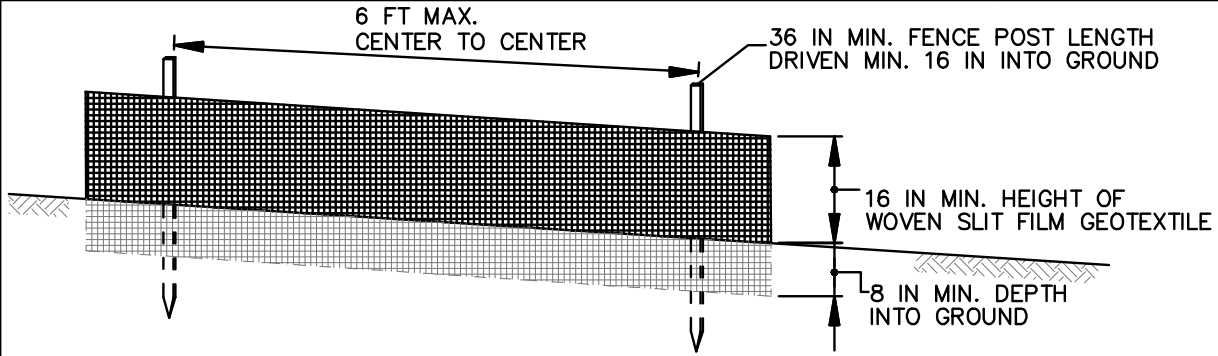
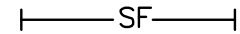
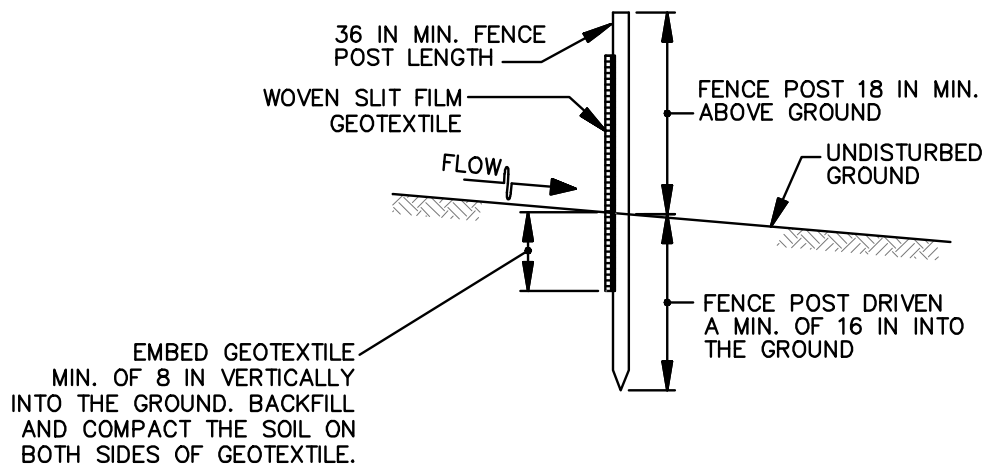


# DETAIL E-1 SILT FENCE

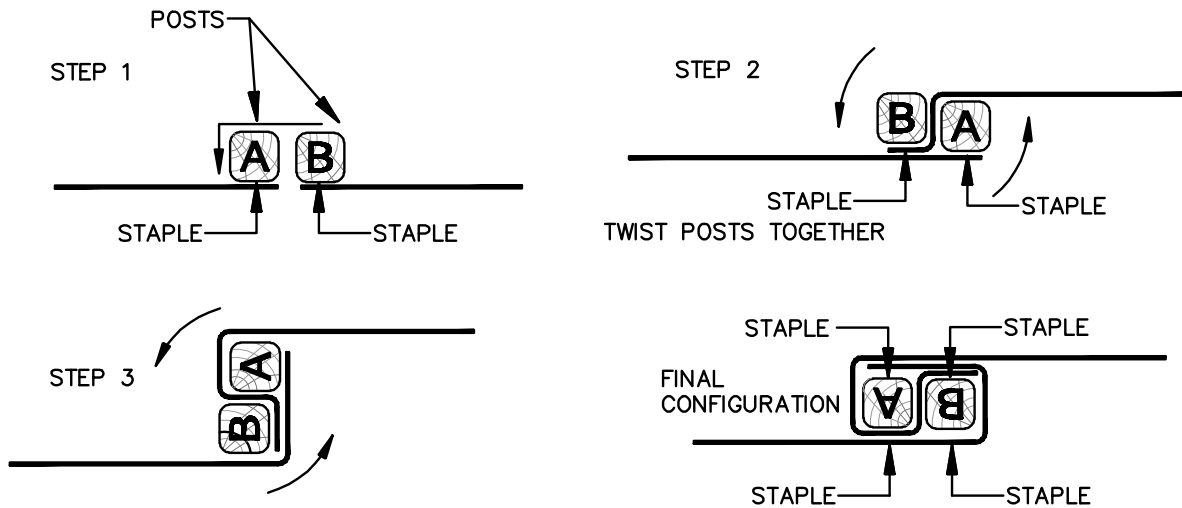
STANDARD SYMBOL



ELEVATION



CROSS SECTION



JOINING TWO ADJACENT SILT FENCE SECTIONS (TOP VIEW)