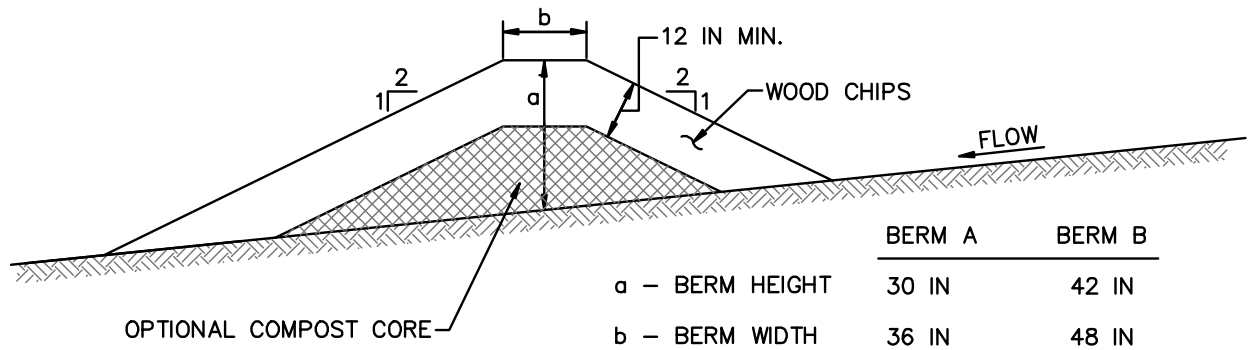


DETAIL E-5 FILTER BERM

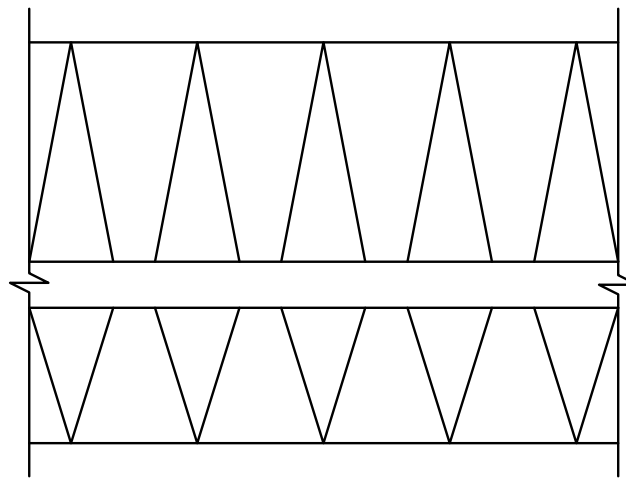
STANDARD SYMBOL

|- - - FB - A - - -|

|- - - FB - B - - -|



CROSS SECTION



PLAN VIEW

CONSTRUCTION SPECIFICATIONS

1. PLACE BERM ON THE CONTOUR WITH ENDS TURNED UPGRADE TO PREVENT BYPASS. DO NOT EXCEED GRADES OF 5 PERCENT ALONG THE BERM FOR A DISTANCE GREATER THAN 50 FEET.
2. CONSTRUCT BERM OF CLEAN WOOD CHIPS A MINIMUM SIZE OF 1X2 INCH AND A MAXIMUM OF 3X3 INCH.
3. COMPACT AND SHAPE MATERIAL TO CONFORM TO DIMENSIONS SPECIFIED ON THE APPROVED PLAN.
4. DO NOT PLACE UN-CHIPPED TREE PIECES, BRUSH, OR STUMPS IN THE BERM. BERM MUST BE FREE OF BANK PROJECTIONS OR OTHER IRREGULARITIES.
5. THE BERM MAY CONTAIN UP TO 50% COMPOST MATERIAL IN ACCORDANCE WITH SECTION H-1 MATERIALS.
6. MAINTAIN LINE, GRADE, AND CROSS SECTION. ADD WOOD CHIPS OR MAKE OTHER REPAIRS AS CONDITIONS DEMAND TO MAINTAIN SPECIFIED DIMENSIONS. REMOVE ACCUMULATED SEDIMENT AND DEBRIS WHEN THEY REACH 25% OF BERM HEIGHT.

MARYLAND STANDARDS AND SPECIFICATIONS FOR SOIL EROSION AND SEDIMENT CONTROL