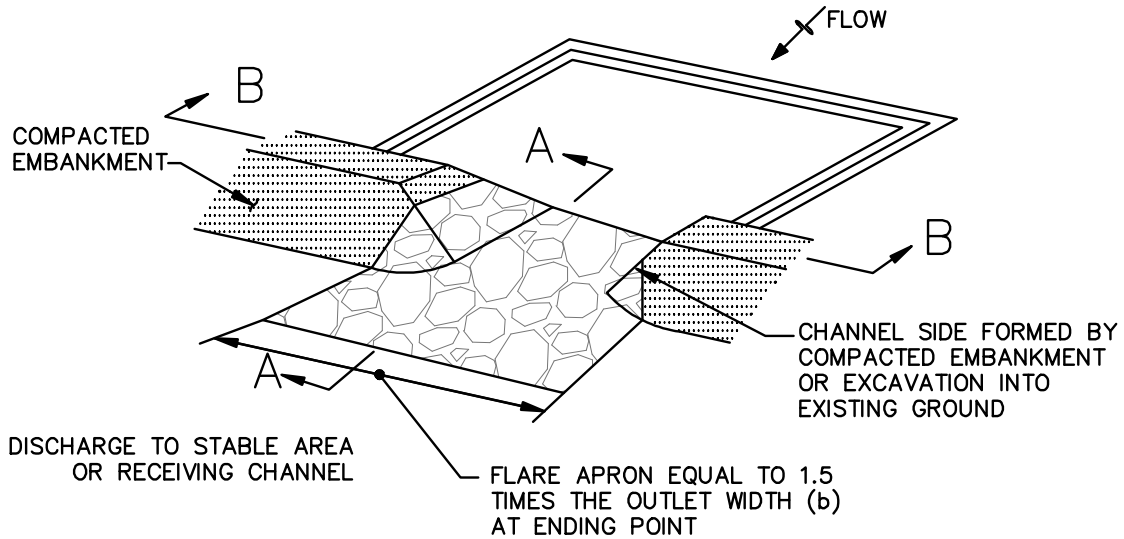


DETAIL G-1-3 RIPRAP OUTLET SEDIMENT TRAP ST-III

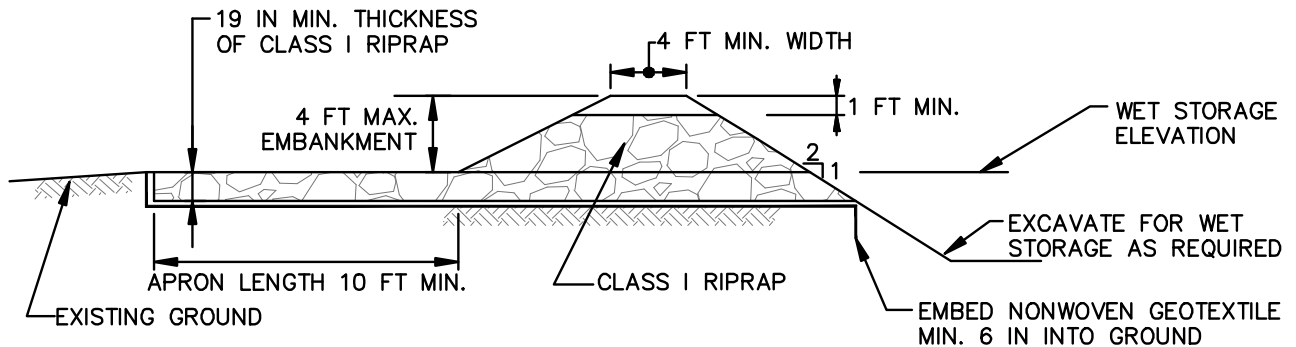
STANDARD SYMBOL

ST-III

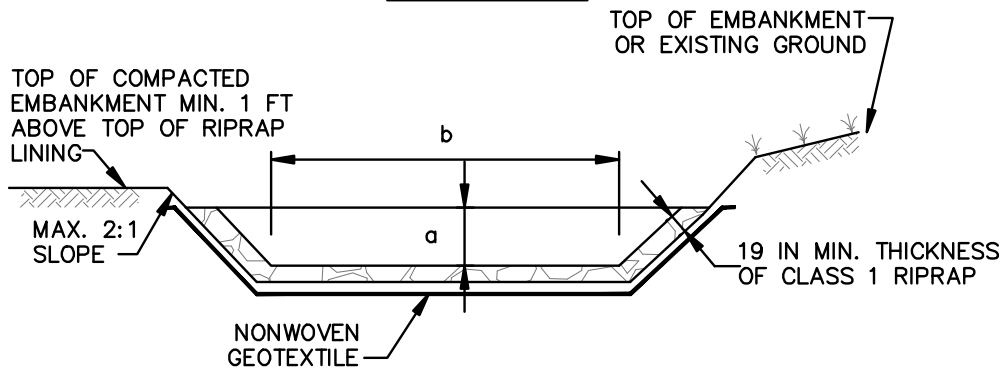
MAXIMUM DRAINAGE AREA = 10 ACRES



ISOMETRIC VIEW



SECTION A-A



a - DEPTH OF OUTLET
b - BOTTOM WIDTH OF OUTLET

SECTION B-B